



**ZENDOME.30M**

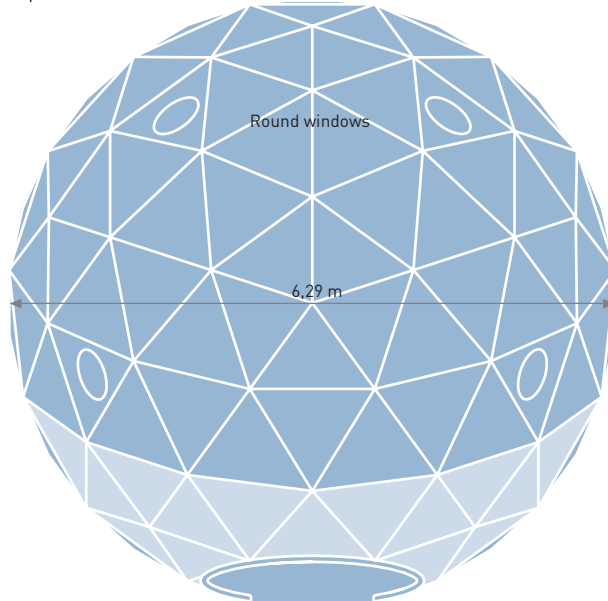
Create an attractive Universe! Cast a spell for your MICE-activities – the geodesic dome is quite enchanting with its 30 m<sup>2</sup> of spatial experience.

ZENVISION GmbH

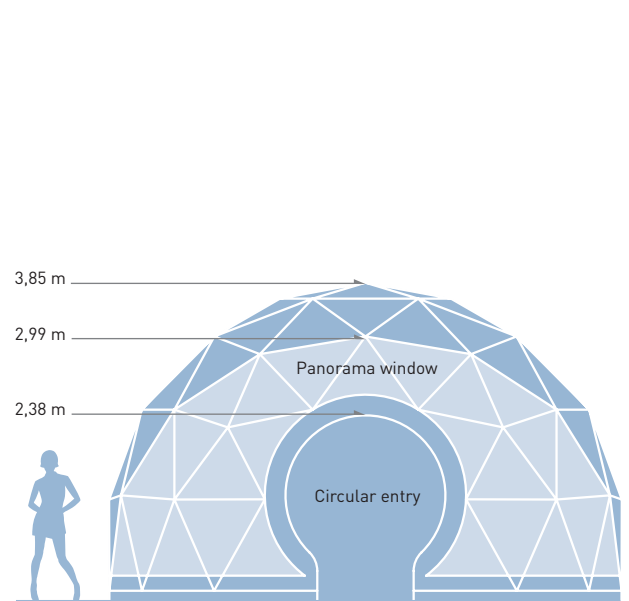
Prenzlauer Promenade 189  
D-13198 Berlin  
www.zenvision.de

T +49 30 473 776 20  
F +49 30 473 776 29  
info@zenvision.de

Top view:



Front view:



**TECHNICAL DATA**

Diameter	6,29 m
Height	3,85 m
Exhibition Space	30 m <sup>2</sup>
Membrane Surface	66 m <sup>2</sup>
Volume	70 m <sup>3</sup>

**ENTRANCE SETTINGS**

Circular entry	1 / optional 3
Width [circular entry without door, measured at floor-level]	1,10 m
Width [circular entry without door, measured at the centre]	2,44 m
Heights of the circular-entry	2,38 m
Membrane-entrance	3
Door system (optional):	
Height of entrance with door	1,97 m
Width of entrance with door	1,00 m
Door-wings	1

**WINDOW SETTINGS:**

Round windows	4
Round windows (transparent or white)	4
Top round windows (ventilation openings)	-
AC-openings	1
Height of panorama window	2,99 m

**MATERIAL & DETAILS**

Number of different struts/poles	5
Min. length of struts	1.032 mm
Max. length of struts	1.246 mm
Diameter of struts	25 mm
Material thickness	2,0 mm
Number of structure feet	15
Membrane material	PVC Coated Polyester Fabrics

**SAFETY:**

Windloads [dynamic pressure q = kN/m <sup>2</sup> according to DIN 4112]	0,5
Dynamic pressure is about (Beaufort)	11 / violent storm
Extra loads	300 – 400 kg
Number of extra loads contact points	6 – 16

**LOAD PARAMETERS**

Structure	270 kg
Structure feet	36 kg
Membrane	50 kg
Circular doorway	23 kg
Door	77 kg
Complete	456 kg

**LOGISTIC AND STORAGE SYSTEM**

Total weight with transport stanchions	696 kg
Loading meters	2,5 m
Number of transport stanchions of frame system, stackable	1
Loading weight of transport stanchion of frame system and circular entry	419 kg
Tare weight of transport stanchion of frame system	90 kg
Transport stanchion of frame system (L x W x H)	2,02 x 0,87 x 1,14 m
Number of membrane boxes, stackable	1
Loading weight of membrane box	160 kg
Tare weight of membrane box	110 kg
Membrane box (L x W x H)	1,15 x 1,87 x 1,14 m
Number of doors per transport box	1
Loading weight of transport box of door	117 kg
Tare weight of transport box of door	40 kg
Transport box of door (L x W x H)	2,14 x 1,23 x 0,30 m

**CONSTRUCTION / DECONSTRUCTION**

Construction time	3 – 4 h
Deconstruction time	1 – 2 h
Team size [pax]	2 – 3
Coaching [days]	1
Mobile Crane, Height / Boom	-

**ZENDOME PLUG-IN**

Ring nut inner diameter	2,5 cm
Number of plug-in use of half load (25 kg)	16
Number of plug-in use of full load (50 kg)	6

**NOTES:**

- The construction time is timed with an experienced team. For first construction calculate double the time
- Anchoring according to static calculations (earth anchors, heavy-load floor-system or loads) necessary.
- All sizes, weights and volumes listed in this table are rounded approximations and may deviate due to varying materials or production processes.



**ZENDOME.30M / CIRCULAR DOORWAY**

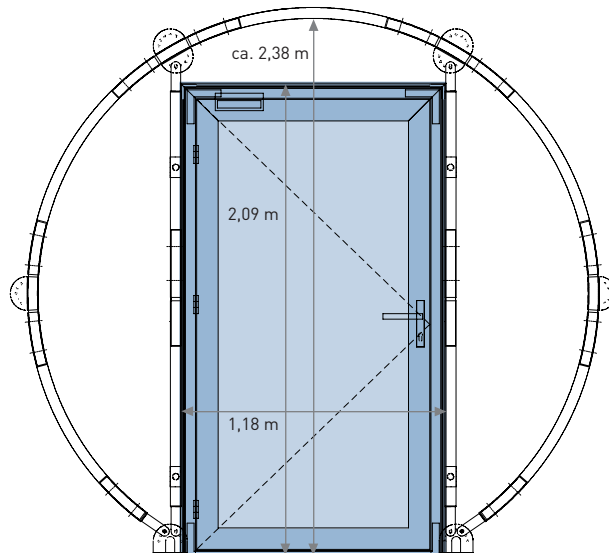
It is your choice: Specially made for the ZENDOME we have developed extensive door solutions ranging from membrane fasteners to membrane doors to full service escape doors.

ZENVISION GmbH

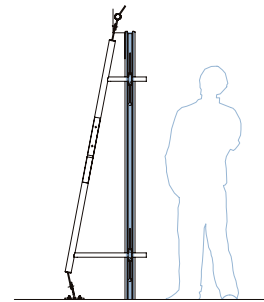
Prenzlauer Promenade 189  
D-13198 Berlin  
www.zenvision.de

T +49 30 473 776 20  
F +49 30 473 776 29  
info@zenvision.de

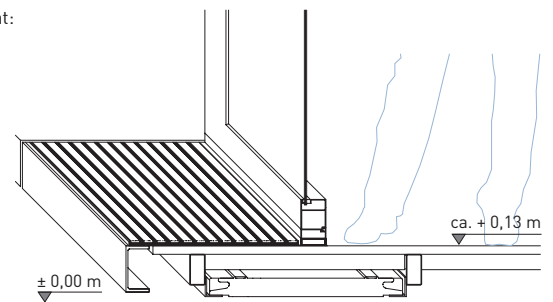
Front view:



Side view:



Doormat:



**ENTRANCE SETTINGS**

Circular entry	1 (3)
Width (circular entry without door, measured at floor-level)	1,10 m
Width (circular entry without door, measured at the centre)	2,44 m
Heights of the circular entry	2,38 m
Membrane-entrance	3

**DOOR SYSTEM (OPTIONAL)**

Height of entrance with door	1,97 m
Width of entrance with door	1,00 m
Width (with door, measured at floor-level)	1,00 m
Door-wings	1

**MATERIAL & DETAILS**

Circular entry	Stainless steel, powder-coated
Vertical and horizontal poles	Stainless steel, powder-coated
Door profiles	Aluminium
Door filling	Makrolon® clear / white
Door closer	yes
Push bar	-
Doormat, attachment for connecting door to floor panel	1,20 x 0,57 m

**LOAD PARAMETERS**

Weight door	77 kg
Measurements transport box door (one door)	2,14 x 1,23 x 0,30 m
Weight / volume transport box door (one door)	40 kg / 0,80 m³
Total weight / volume	117 kg / 0,80 m³
Weight circular entry	23 kg
Loading	On strut stanchions

**NOTES:**

- Presented drawings are to express system and deviate in reality. All sizes, weights and volumes listed in this table are rounded approximations and may deviate due to varying materials or production processes.



**ZENDOME.30M / FLOORSYSTEM**

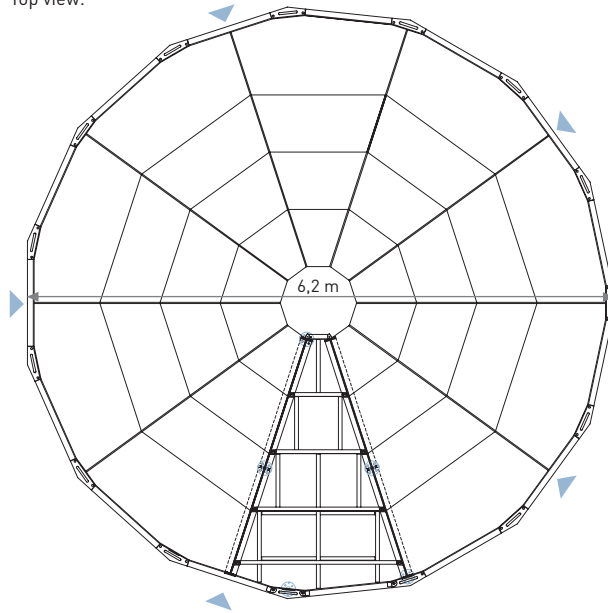
The heavy-load floor for any ground situation. Flexibly usable with many details and no need for ground anchoring. In order to spare luxury lawns, natural habitats or cobbled market squares.

ZENVISION GmbH

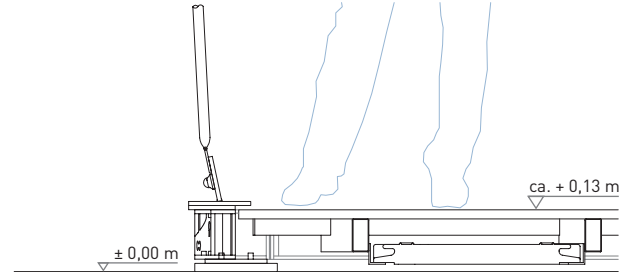
Prenzlauer Promenade 189  
D-13198 Berlin  
www.zenvision.de

T +49 30 473 776 20  
F +49 30 473 776 29  
info@zenvision.de

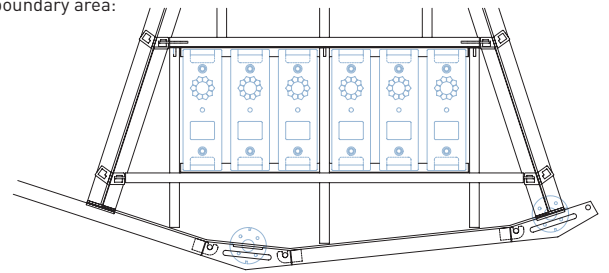
Top view:



Section boundary area:



Floor plan boundary area:



SPACE	
Diameter floor-system	6,2 m
Height floor-system (without underpinning)	0,13 m
Length of ramps	3,2 m

MATERIAL & DETAILS	
Substructure	Steel galvanised
Ground plates	Multiplex, 21 mm, sealed edges
Number of segments	10
Number of ground boxes	40
Middle circle	one piece
Number of radial beams	20
Number of outer beams	15
Number of foot boxes	15
Number of base discs / points of support	28

LOADING PARAMETER	
Weight of heavy-load floor-system	1.700 kg
Total weight of packed heavy-load floor-system	1.916 kg
Loading meter of heavy-load floor-system	1,3 m
Number of transport stanchions, stackable	2
Transport stanchion (L x W x H)	2,28 x 1,22 x 1,14 m
Tare weight of transport stanchion	108 kg
Necessary additional loads (DIN 4112)	-
Total weight of heavy-load floor-system w. additional loads	-
Number of possible ramps	1

ASSEMBLING & DISMANTLING	
Assembling time	2 – 3 h
Dismantling time	1 – 2 h
Team size (pax)	2 – 3

**NOTES:**

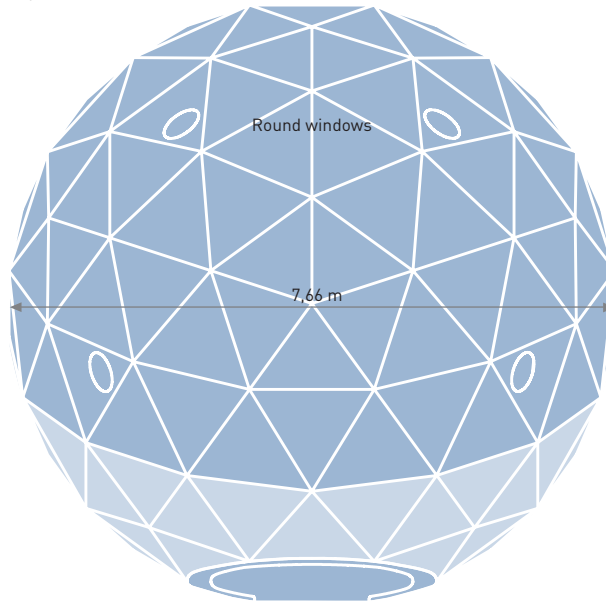
- The construction time refers to an experienced team. For first construction you need to calculate a longer construction time.
- In order to unload the transport rack a fork lift with min. 1500 kg load capacity is required.
- According to the location and local building laws additional weights to secure system may be needed.
- Presented drawings are to express system and deviate in reality. All sizes, weights and volumes listed in this table are rounded approximations and may deviate due to varying materials or production processes.



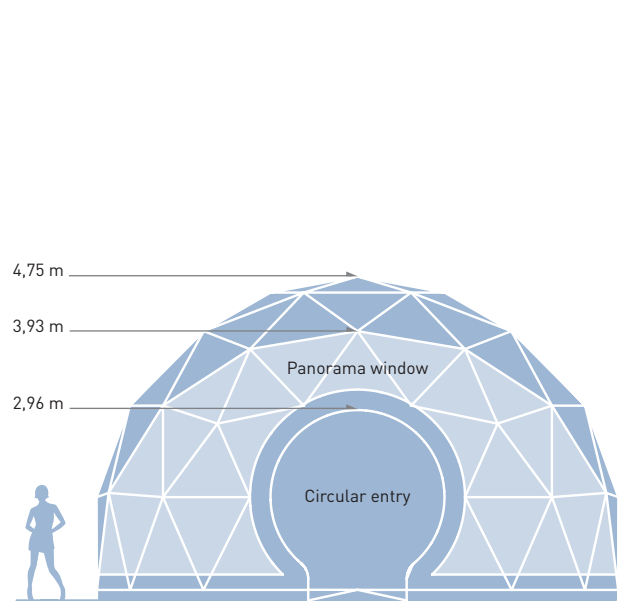
**ZENDOME.45M**

45 square metres of geodesic space – the perfect size for seminars, conventions, corporate events, for exclusive banquets, receptions and weddings.

Top view:



Front view:



**TECHNICAL DATA**

Diameter	7,66 m
Height	4,75 m
Exhibition Space	45 m <sup>2</sup>
Membrane Surface	109 m <sup>2</sup>
Volume	149 m <sup>3</sup>

**ENTRANCE SETTINGS**

Circular entry	1 / optional 3
Width [circular entry without door, measured at floor-level]	1,42 m
Width [circular entry without door, measured at the centre]	3,04 m
Heights of the circular-entry	2,96 m
Membrane-entrance	3
Door system (optional):	
Height of entrance with door	2,10 m
Width of entrance with door	1,27 m
Door-wings	1

**WINDOW SETTINGS:**

Round windows	4
Round windows (transparent or white)	4
Top round windows (ventilation openings)	-
AC-openings	1
Height of panorama window	3,93 m

**MATERIAL & DETAILS**

Number of different struts/poles	5
Min. length of struts	1,293 mm
Max. length of struts	1.559 mm
Diameter of struts	25 mm
Material thickness	2,0 mm
Number of structure feet	15
Membrane material	PVC Coated Polyester Fabrics

**SAFETY:**

Windloads [dynamic pressure q = kN/m <sup>2</sup> according to DIN 4112]	0,5
Dynamic pressure is about (Beaufort)	11 / violent storm
Extra loads	300 – 400 kg
Number of extra loads contact points	6 – 16

**LOAD PARAMETERS**

Structure	315 kg
Structure feet	36 kg
Membrane	75 kg
Circular doorway	27 kg
Door	80 kg
Complete	533 kg

**LOGISTIC AND STORAGE SYSTEM**

Total weight with transport stanchions	783 kg
Loading meters	2,5 m
Number of transport stanchions of frame system, stackable	1
Loading weight of transport stanchion of frame system and circular entry	468 kg
Tare weight of transport stanchion of frame system	90 kg
Transport stanchion of frame system (L x W x H)	2,02 x 0,87 x 1,14 m
Number of membrane boxes, stackable	1
Loading weight of membrane box	185 kg
Tare weight of membrane box	110 kg
Membrane box (L x W x H)	1,15 x 1,87 x 1,14 m
Number of doors per transport box	1
Loading weight of transport box of door	130 kg
Tare weight of transport box of door	50 kg
Transport box of door (L x W x H)	2,35 x 1,50 x 0,35 m

**CONSTRUCTION / DECONSTRUCTION**

Construction time	4 – 5 h
Deconstruction time	2 – 3 h
Team size [pax]	2 – 3
Coaching [days]	1
Mobile Crane, Height / Boom	-

**ZENDOME PLUG-IN**

Ring nut inner diameter	2,5 cm
Number of plug-in use of half load (25 kg)	16
Number of plug-in use of full load (50 kg)	6

**NOTES:**

- The construction time is timed with an experienced team. For first construction calculate double the time
- Anchoring according to static calculations (earth anchors, heavy-load floor-system or loads) necessary.
- All sizes, weights and volumes listed in this table are rounded approximations and may deviate due to varying materials or production processes.



**ZENDOME.45M / CIRCULAR DOORWAY**

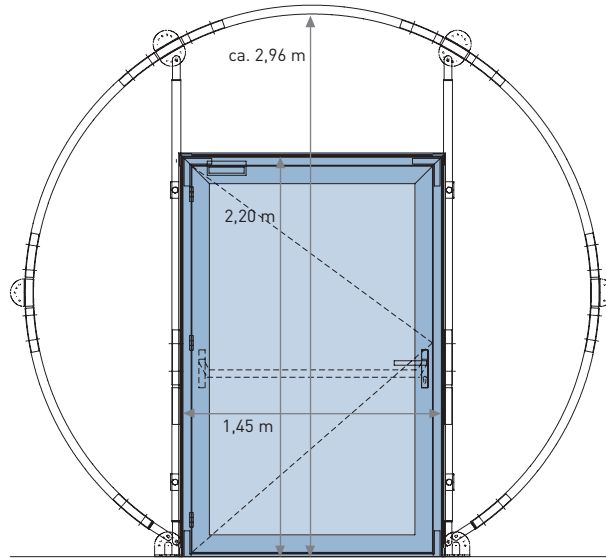
Adapt the door styling of your ZENDOME.door to your event design and choose between opaque aluminium and transparent Makrolon®.

ZENVISION GmbH

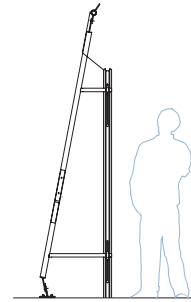
Prenzlauer Promenade 189  
D-13198 Berlin  
www.zenvision.de

T +49 30 473 776 20  
F +49 30 473 776 29  
info@zenvision.de

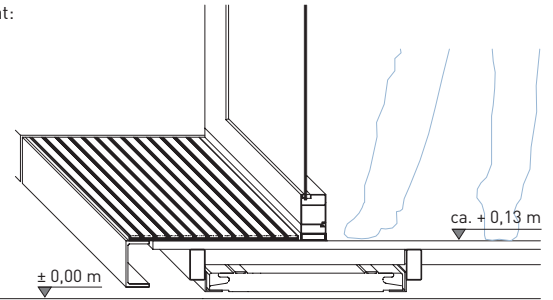
Front view:



Side view:



Doormat:



**ENTRANCE SETTINGS**

Circular entry	1 (3)
Width (circular entry without door, measured at floor-level)	1,42 m
Width (circular entry without door, measured at the centre)	3,04 m
Heights of the circular entry	2,96 m
Membrane-entrance	3

**DOOR SYSTEM (OPTIONAL)**

Height of entrance with door	2,10 m
Width of entrance with door	1,27 m
Width (with door, measured at floor-level)	1,27 m
Door-wings	1

**MATERIAL & DETAILS**

Circular entry	Stainless steel, powder-coated
Vertical and horizontal poles	Stainless steel, powder-coated
Door profiles	Aluminium
Door filling	Makrolon® clear / white
Door closer	yes
Push bar	yes
Doormat, attachment for connecting door to floor panel	1,48 x 0,38 m

**LOAD PARAMETERS**

Weight door	80 kg
Measurements transport box door (one door)	2,35 x 1,50 x 0,35 m
Weight / volume transport box door (one door)	50 kg / 1,23 m³
Total weight / volume	130 kg / 1,23 m³
Weight circular entry	27 kg
Loading	On strut stanchions

**NOTES:**

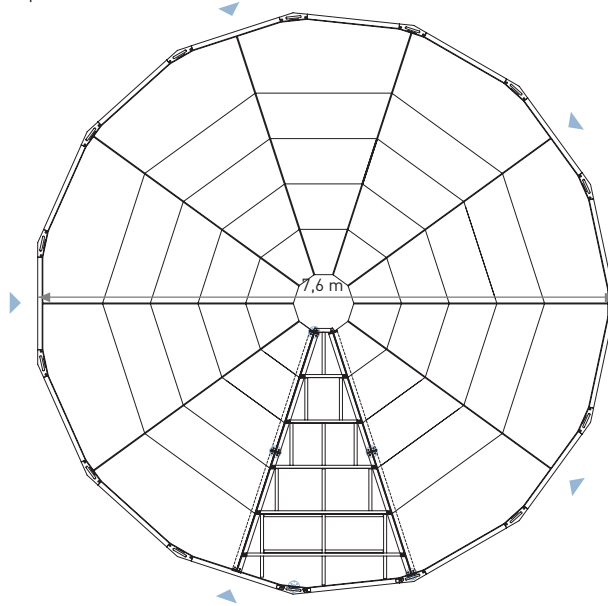
- Presented drawings are to express system and deviate in reality. All sizes, weights and volumes listed in this table are rounded approximations and may deviate due to varying materials or production processes.



**ZENDOME.45M / FLOORSYSTEM**

Safe construction, high quality material: the individual parts of the floor are pre-assembled which makes the construction easier and saves valuable time during successful events.

Top view:

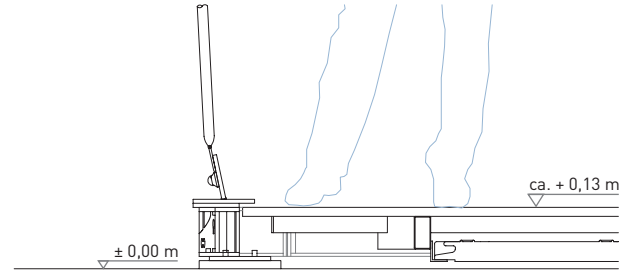


SPACE	
Diameter floor-system	7,6 m
Height floor-system (without underpinning)	0,13 m
Length of ramps	3,2 m

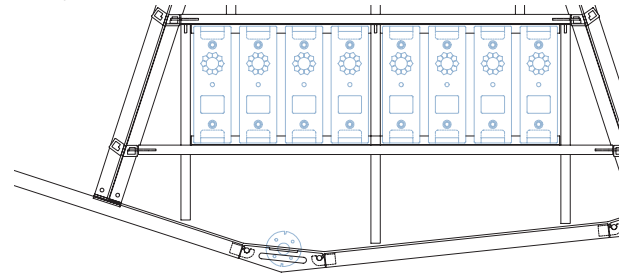
MATERIAL & DETAILS	
Substructure	Steel galvanised
Ground plates	Multiplex, 21 mm, sealed edges
Number of segments	10
Number of ground boxes	50
Middle circle	one piece
Number of radial beams	20
Number of outer beams	15
Number of foot boxes	15
Number of base discs / points of support	28

ZENVISION GmbH Prenzlauer Promenade 189 T +49 30 473 776 20  
D-13198 Berlin F +49 30 473 776 29  
www.zenvision.de info@zenvision.de

Section boundary area:



Floor plan boundary area:



LOADING PARAMETER	
Weight of heavy-load floor-system	2.200 kg
Total weight of packed heavy-load floor-system	2.632 kg
Loading meter of heavy-load floor-system	2,6 m
Number of transport stanchions, stackable	4
Transport stanchion (L x W x H)	2,28 x 1,22 x 1,14 m
Tare weight of transport stanchion	108 kg
Necessary additional loads (DIN 4112)	80 x 25 kg
Total weight of heavy-load floor-system w. additional loads	4.200 kg
Number of possible ramps	1 - 3

ASSEMBLING & DISMANTLING	
Assembling time	2 - 3 h
Dismantling time	1 - 2 h
Team size (pax)	3 - 4

**NOTES:**

- The construction time refers to an experienced team. For first construction you need to calculate a longer construction time.
- In order to unload the transport rack a fork lift with min. 1500 kg load capacity is required.
- Maximum windload according to DIN 4112. According to the location and local building laws additional weights to secure system may be needed.
- Presented drawings are to express system and deviate in reality. All sizes, weights and volumes listed in this table are rounded approximations and may deviate due to varying materials or production processes.



**ZENDOME.75M**

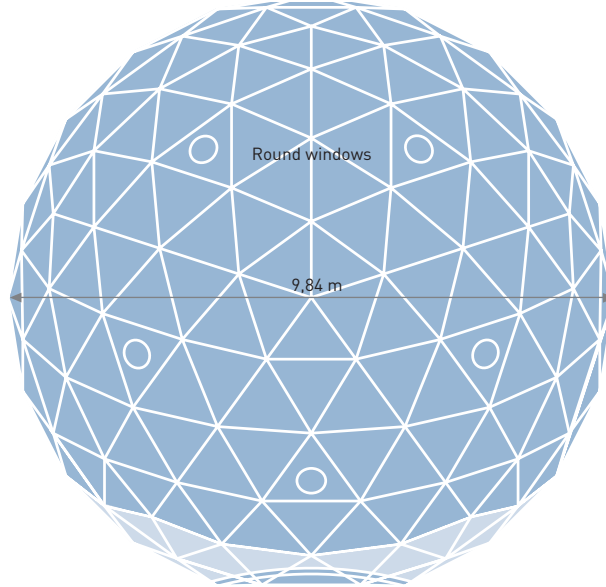
The perfect location for unique memories! Create a rush for your MICE-activities – the geodesic dome is impressive with its 75 m<sup>2</sup> of exclusive space, as an installation or on a world wide tour.

ZENVISION GmbH

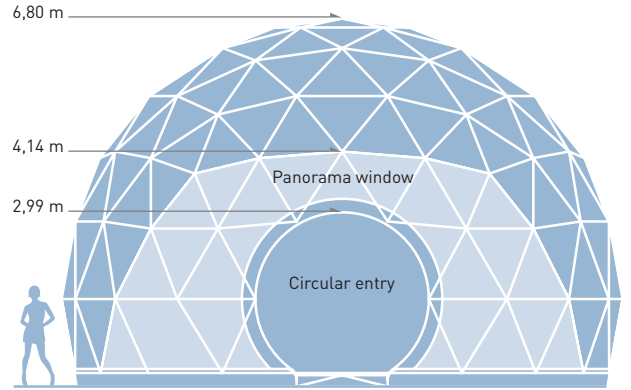
Prenzlauer Promenade 189  
D-13198 Berlin  
www.zenvision.de

T +49 30 473 776 20  
F +49 30 473 776 29  
info@zenvision.de

Top view:



Front view:



**TECHNICAL DATA**

Diameter	9,84 m
Height	6,80 m
Exhibition Space	74,80 m <sup>2</sup>
Membrane Surface	209 m <sup>2</sup>
Volume	250 m <sup>3</sup>

**ENTRANCE SETTINGS**

Circular entry	1 / optional 3
Width [circular entry without door, measured at floor-level]	1,35 m
Width [circular entry without door, measured at the centre]	3,04 m
Heights of the circular-entry	2,99 m
Membrane-entrance	3
Door system (optional):	
Height of entrance with door	2,10 m
Width of entrance with door	1,27 m
Door-wings	1

**WINDOW SETTINGS:**

Round windows	5
Round windows (transparent or white)	5
Top round windows (ventilation openings)	5
AC-openings	1
Height of panorama window	4,14 m

**MATERIAL & DETAILS**

Number of different struts/poles	9
Min. length of struts	1.223 mm
Max. length of struts	1.590 mm
Diameter of struts	25 mm
Material thickness	2,0 mm
Number of structure feet	20
Membrane material	PVC Coated Polyester Fabrics

**SAFETY:**

Windloads [dynamic pressure q = kN/m <sup>2</sup> according to DIN 4112]	0,5
Dynamic pressure is about (Beaufort)	11 / violent storm
Extra loads	550 – 775 kg
Number of extra loads contact points	11 – 31

**LOAD PARAMETERS**

Structure	604 kg
Structure feet	48 kg
Membrane	157 kg
Circular doorway	27 kg
Door	80 kg
Complete	916 kg

**LOGISTIC AND STORAGE SYSTEM**

Total weight with transport stanchions	1.256 kg
Loading meters	2,5 m
Number of transport stanchions of frame system, stackable	2
Loading weight of transport stanchion of frame system and circular entry	859 kg
Tare weight of transport stanchion of frame system	90 kg
Transport stanchion of frame system (L x W x H)	2,02 x 0,87 x 1,14 m
Number of membrane boxes, stackable	1
Loading weight of membrane box	267 kg
Tare weight of membrane box	110 kg
Membrane box (L x W x H)	1,15 x 1,87 x 1,14 m
Number of doors per transport box	1
Loading weight of transport box of door	130 kg
Tare weight of transport box of door	50 kg
Transport box of door (L x W x H)	2,35 x 1,50 x 0,35 m

**CONSTRUCTION / DECONSTRUCTION**

Construction time	5 – 7 h
Deconstruction time	3 – 4 h
Team size [pax]	5 – 6
Coaching [days]	1
Mobile Crane, Height / Boom	20 m / 15 m

**ZENDOME PLUG-IN**

Ring nut inner diameter	2,5 cm
Number of plug-in use of half load (25 kg)	31
Number of plug-in use of full load (50 kg)	11

**NOTES:**

- The construction time is timed with an experienced team. For first construction calculate double the time
- Anchoring according to static calculations (earth anchors, heavy-load floor-system or loads) necessary.
- All sizes, weights and volumes listed in this table are rounded approximations and may deviate due to varying materials or production processes.



**ZENDOME.75M / CIRCULAR DOORWAY**

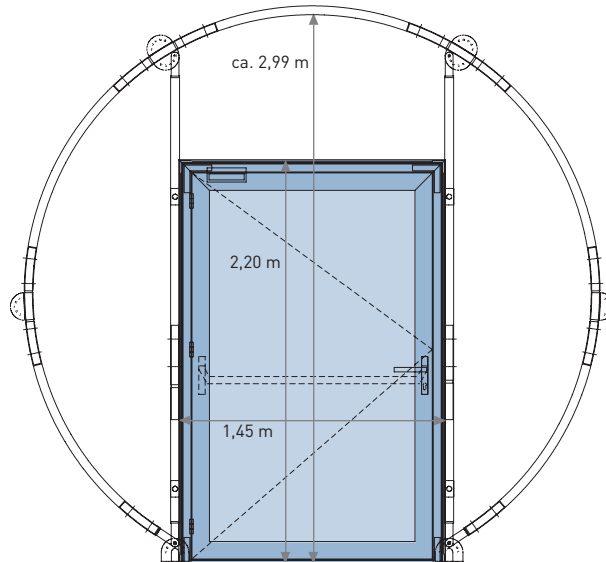
Entering high class events: Entrance doorways made from convincing materials. Opening becomes an experience and closing provides an imposing sound.

ZENVISION GmbH

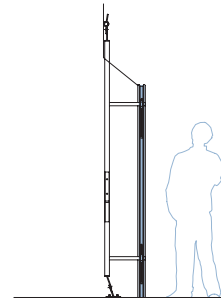
Prenzlauer Promenade 189  
D-13198 Berlin  
www.zenvision.de

T +49 30 473 776 20  
F +49 30 473 776 29  
info@zenvision.de

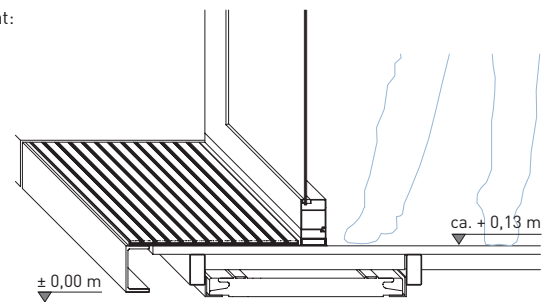
Front view:



Side view:



Doormat:



**ENTRANCE SETTINGS**

Circular entry	1 (3)
Width (circular entry without door, measured at floor-level)	1,35 m
Width (circular entry without door, measured at the centre)	3,04 m
Heights of the circular entry	2,99 m
Membrane-entrance	3

**DOOR SYSTEM (OPTIONAL)**

Height of entrance with door	2,10 m
Width of entrance with door	1,27 m
Width (with door, measured at floor-level)	1,27 m
Door-wings	1

**MATERIAL & DETAILS**

Circular entry	Stainless steel, powder-coated
Vertical and horizontal poles	Stainless steel, powder-coated
Door profiles	Aluminium
Door filling	Makrolon® clear / white
Door closer	yes
Push bar	yes
Doormat, attachment for connecting door to floor panel	1,48 x 0,38 m

**LOAD PARAMETERS**

Weight door	80 kg
Measurements transport box door (one door)	2,35 x 1,50 x 0,35 m
Weight / volume transport box door (one door)	50 kg / 1,23 m³
Total weight / volume	130 kg / 1,23 m³
Weight circular entry	27 kg
Loading	On strut stanchions

**NOTES:**

- Presented drawings are to express system and deviate in reality. All sizes, weights and volumes listed in this table are rounded approximations and may deviate due to varying materials or production processes.





**ZENDOME.75M / FLOORSYSTEM**

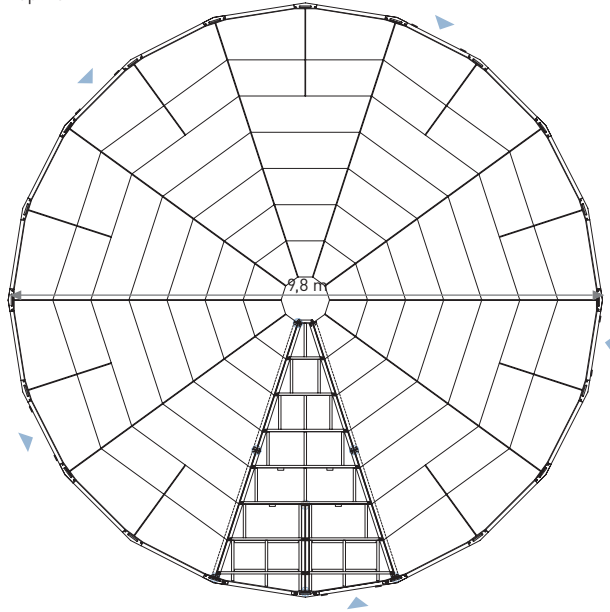
The heavy-load floor-system exclusively developed for all ZENDOME and equipped with many details. Quality and design for a sustainable and flexible use.

ZENVISION GmbH

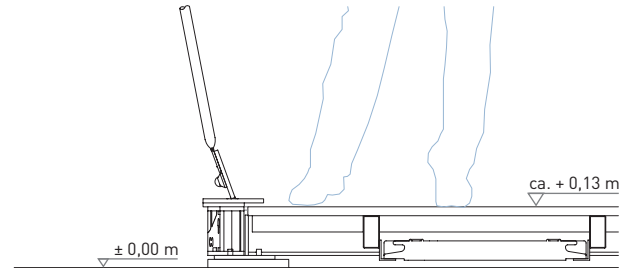
Prenzlauer Promenade 189  
D-13198 Berlin  
www.zenvision.de

T +49 30 473 776 20  
F +49 30 473 776 29  
info@zenvision.de

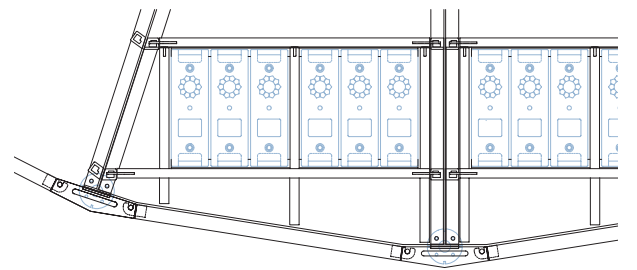
Top view:



Section boundary area:



Floor plan boundary area:



**SPACE**

Diameter floor-system	9,8 m
Height floor-system (without underpinning)	0,13 m
Length of ramps	3,2 m

**MATERIAL & DETAILS**

Substructure	Steel galvanised
Ground plates	Multiplex, 21 mm, sealed edges
Number of segments	10
Number of ground boxes	90
Middle circle	one piece
Number of radial beams	30
Number of outer beams	20
Number of foot boxes	20
Number of base discs / points of support	43

**LOADING PARAMETER**

Weight of heavy-load floor-system	3.500 kg
Total weight of packed heavy-load floor-system	4.040 kg
Loading meter of heavy-load floor-system	3,9 m
Number of transport stanchions, stackable	5
Transport stanchion (L x W x H)	2,28 x 1,22 x 1,14 m
Tare weight of transport stanchion	108 kg
Necessary additional loads (DIN 4112)	144 x 25 kg
Total weight of heavy-load floor-system w. additional loads	7.100 kg
Number of possible ramps	1 - 3

**ASSEMBLING & DISMANTLING**

Assembling time	2 - 3 h
Dismantling time	1 - 2 h
Team size (pax)	5 - 6

**NOTES:**

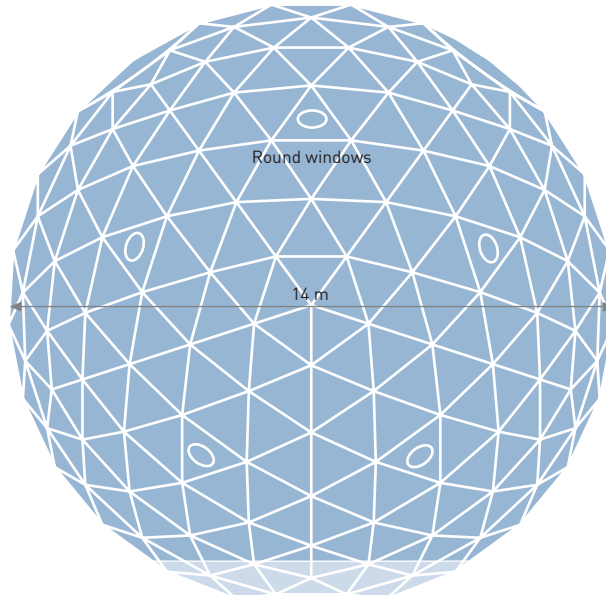
- The construction time refers to an experienced team. For first construction you need to calculate a longer construction time.
- In order to unload the transport rack a fork lift with min. 1500 kg load capacity is required.
- Maximum windload according to DIN 4112. According to the location and local building laws additional weights to secure system may be needed.
- Presented drawings are to express system and deviate in reality. All sizes, weights and volumes listed in this table are rounded approximations and may deviate due to varying materials or production processes.



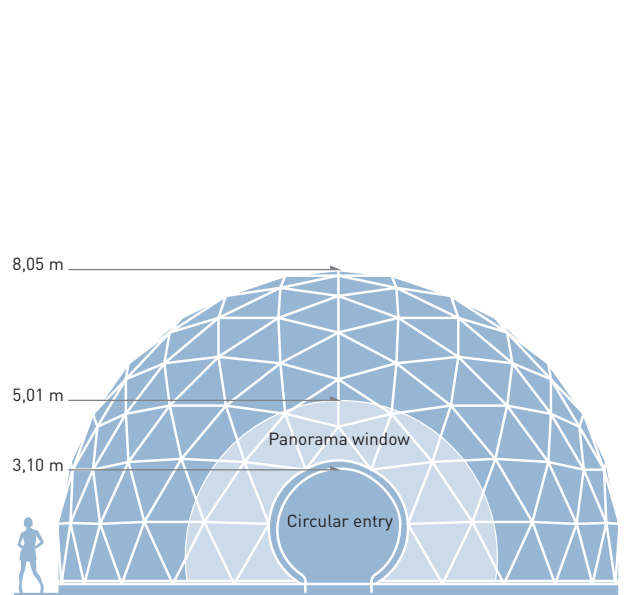
### ZENDOME.150M

Your clients love it – the event as a real experience! Communicate your MICE-activities emotionally – the geodesic dome is an inspiration with its overwhelming 150 m<sup>2</sup> of space.

Top view:



Front view:



#### TECHNICAL DATA

Diameter	14 m
Height	8,05 m
Exhibition Space	150 m <sup>2</sup>
Membrane Surface	294 m <sup>2</sup>
Volume	700 m <sup>3</sup>

#### ENTRANCE SETTINGS

Circular entry	1 / optional 3
Width [circular entry without door, measured at floor-level]	1,72 m
Width [circular entry without door, measured at the centre]	3,40 m
Heights of the circular-entry	3,10 m
Membrane-entrance	3
Door system (optional):	
Height of entrance with door	2,10 m
Width of entrance with door	1,07 m + 0,53 m
Door-wings	2

#### WINDOW SETTINGS:

Round windows	7
Round windows (transparent or white)	7
Top round windows (ventilation openings)	5
AC-openings	3
Height of panorama window	5,01 m

#### MATERIAL & DETAILS

Number of different struts/poles	10
Min. length of struts	1.360 mm
Max. length of struts	1.813 mm
Diameter of struts	30 mm
Material thickness	2,0 mm
Number of structure feet	25
Membrane material	PVC Coated Polyester Fabrics

#### SAFETY:

Windloads [dynamic pressure q = kN/m <sup>2</sup> according to DIN 4112]	0,8
Dynamic pressure is about (Beaufort)	12 / violent storm
Extra loads	800 – 1.275 kg
Number of extra loads contact points	16 – 51

#### LOAD PARAMETERS

Structure	1.088 kg
Structure feet	60 kg
Membrane	220 kg
Circular doorway	31 kg
Door	95 kg
Complete	1.494 kg

#### LOGISTIC AND STORAGE SYSTEM

Total weight with transport stanchions	1.979 kg
Loading meters	3,2 m
Number of transport stanchions of frame system, stackable	2
Loading weight of transport stanchion of frame system and circular entry	1.359 kg
Tare weight of transport stanchion of frame system	90 kg
Transport stanchion of frame system [L x W x H]	2,02 x 0,87 x 1,14 m
Number of membrane boxes, stackable	1
Loading weight of membrane box	470 kg
Tare weight of membrane box	250 kg
Membrane box [L x W x H]	2,30 x 1,87 x 1,14 m
Number of doors per transport box	1
Loading weight of transport box of door	150 kg
Tare weight of transport box of door	55 kg
Transport box of door [L x W x H]	2,35 x 1,50 x 0,35 m

#### CONSTRUCTION / DECONSTRUCTION

Construction time	11 – 14 h
Deconstruction time	6 – 7 h
Team size [pax]	6 – 8
Coaching [days]	2
Mobile Crane, Height / Boom	25 m / 20 m

#### ZENDOME PLUG-IN

Ring nut inner diameter	2,5 cm
Number of plug-in use of half load (25 kg)	51
Number of plug-in use of full load (50 kg)	16

#### NOTES:

- The construction time is timed with an experienced team. For first construction calculate double the time
- Anchoring according to static calculations (earth anchors, heavy-load floor-system or loads) necessary.
- All sizes, weights and volumes listed in this table are rounded approximations and may deviate due to varying materials or production processes.



**ZENDOME.150M / CIRCULAR DOORWAY**

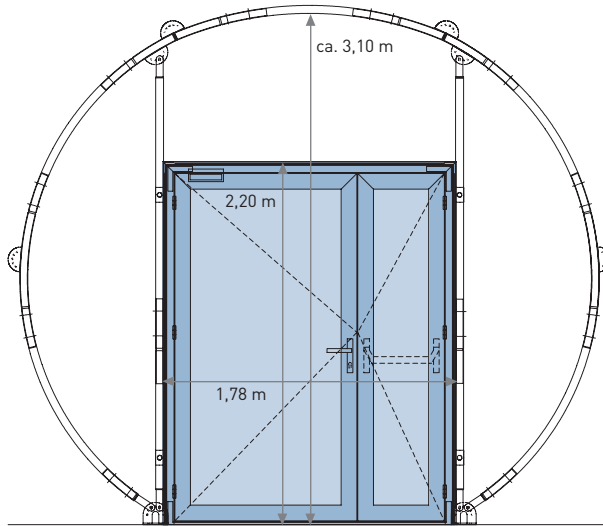
The first impression convinces guests and clients – with the two winged door by ZENDOME you will create the perfect entrance situation.

ZENVISION GmbH

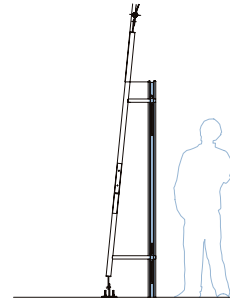
Prenzlauer Promenade 189  
D-13198 Berlin  
www.zenvision.de

T +49 30 473 776 20  
F +49 30 473 776 29  
info@zenvision.de

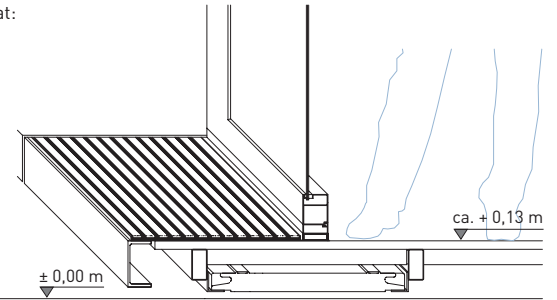
Front view:



Side view:



Doormat:



**ENTRANCE SETTINGS**

Circular entry	1 (3)
Width (circular entry without door, measured at floor-level)	1,72 m
Width (circular entry without door, measured at the centre)	3,40 m
Heights of the circular entry	3,10 m
Membrane-entrance	3

**DOOR SYSTEM (OPTIONAL)**

Height of entrance with door	2,10 m
Width of entrance with door	1,07 + 0,53 m
Width (with door, measured at floor-level)	1,60 m
Door-wings	2

**MATERIAL & DETAILS**

Circular entry	Stainless steel, powder-coated
Vertical and horizontal poles	Stainless steel, powder-coated
Door profiles	Aluminium
Door filling	Makrolon® clear / white
Door closer	yes
Push bar	yes
Doormat, attachment for connecting door to floor panel	1,79 x 0,52 m

**LOAD PARAMETERS**

Weight door	95 kg
Measurements transport box door (one door)	2,35 x 1,83 x 0,35 m
Weight / volume transport box door (one door)	55 kg / 1,50 m³
Total weight / volume	150 kg / 1,50 m³
Weight circular entry	31 kg
Loading	On strut stanchions

**NOTES:**

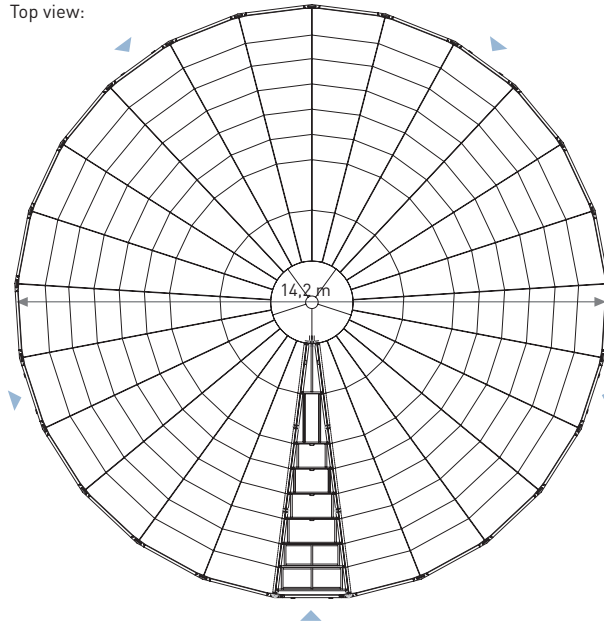
- Presented drawings are to express system and deviate in reality. All sizes, weights and volumes listed in this table are rounded approximations and may deviate due to varying materials or production processes.



**ZENDOME.150M / FLOORSYSTEM**

Flexible weights let the ZENDOME.floorsystem adjust to different construction situations. Invisible and adjustable as a stable basis for successful events.

Top view:



**SPACE**

Diameter floor-system	14,2 m
Height floor-system (without underpinning)	0,13 m
Length of ramps	3,2 m

**MATERIAL & DETAILS**

Substructure	Steel galvanised
Ground plates	Multiplex, 21 mm, sealed edges
Number of segments	25
Number of ground boxes	200
Middle circle	six pieces
Number of radial beams	75
Number of outer beams	25
Number of foot boxes	25
Number of base discs / points of support	85

ZENVISION GmbH

Prenzlauer Promenade 189

T +49 30 473 776 20

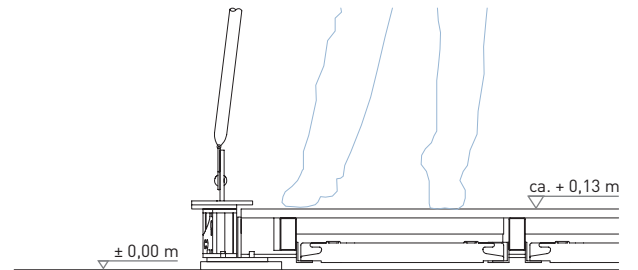
D-13198 Berlin

F +49 30 473 776 29

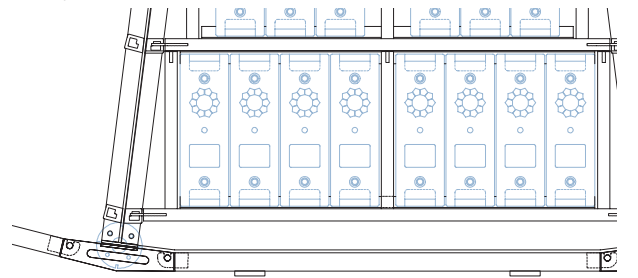
www.zenvision.de

info@zenvision.de

Section boundary area:



Floor plan boundary area:



**LOADING PARAMETER**

Weight of heavy-load floor-system	8.000 kg
Total weight of packed heavy-load floor-system	9.080 kg
Loading meter of heavy-load floor-system	6,5 m
Number of transport stanchions, stackable	10
Transport stanchion (L x W x H)	2,28 x 1,22 x 1,14 m
Tare weight of transport stanchion	108 kg
Necessary additional loads (DIN 4112)	270 x 25 kg
Total weight of heavy-load floor-system w. add. loads	14.750 kg
Number of possible ramps	1 - 3

**ASSEMBLING & DISMANTLING**

Assembling time	4 - 6 h
Dismantling time	3 - 5 h
Team size (pax)	6 - 8

**NOTES:**

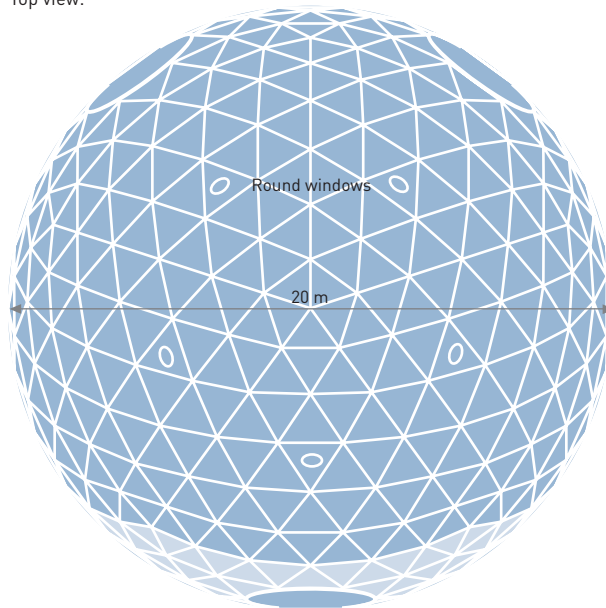
- The construction time refers to an experienced team. For first construction you need to calculate a longer construction time.
- In order to unload the transport rack a fork lift with min. 1500 kg load capacity is required.
- Maximum windload according to DIN 4112. According to the location and local building laws additional weights to secure system may be needed.
- Presented drawings are to express system and deviate in reality. All sizes, weights and volumes listed in this table are rounded approximations and may deviate due to varying materials or production processes.



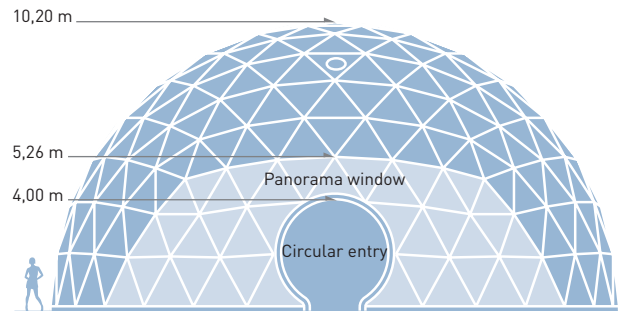
**ZENDOME.300M**

Good ideas and the right atmosphere need space! Celebrate your MICE-activities exclusively – the geodesic dome will provide you with 300 m<sup>2</sup> of unforgettable spatial experience.

Top view:



Front view:



**TECHNICAL DATA**

Diameter	20 m
Height	10,20 m
Exhibition Space	300 m <sup>2</sup>
Membrane Surface	620 m <sup>2</sup>
Volume	2.100 m <sup>3</sup>

**ENTRANCE SETTINGS**

Circular entry	1 / optional 5
Width [circular entry without door, measured at floor-level]	1,96 m
Width [circular entry without door, measured at the centre]	4,12 m
Heights of the circular-entry	4,00 m
Membrane-entrance	3 / optional 5
Door system (optional):	
Height of entrance with door	2,10 m
Width of entrance with door	0,89 + 0,89 m / 1,25 + 0,53 m
Door-wings	2

**WINDOW SETTINGS:**

Round windows	3 / optional 5
Round windows (transparent or white)	3 / optional 5
Top round windows (ventilation openings)	5
AC-openings	3
Height of panorama window	5,26 m

**MATERIAL & DETAILS**

Number of different struts / poles	11
Min. length of struts	1.529 mm
Max. length of struts	2.069 mm
Diameter of struts	35 mm and 48,3 mm
Material thickness	2,5 mm und 3 mm
Number of structure feet	30
Membrane material	PVC Coated Polyester Fabrics

**SAFETY:**

Windloads [dynamic pressure q = kN/m <sup>2</sup> according to DIN 4112]	0,8
Dynamic pressure is about (Beaufort)	12 / violent storm
Extra loads	1.000 – 1.275 kg
Number of extra loads contact points	20 – 51

**LOAD PARAMETERS**

Structure	2.480 kg
Structure feet	105 kg
Membrane	465 kg
Circular doorway	140 kg
Door	97 kg
Complete	3.287 kg

**LOGISTIC AND STORAGE SYSTEM**

Total weight with transport stanchions	4.239 kg
Loading meters	6 m
Number of transport stanchions of frame system, stackable	4
Loading weight of transport stanchion of frame system and circular entry	3.117 kg
Tare weight of transport stanchion of frame system	98 kg
Transport stanchion of frame system (L x W x H)	2,37 x 0,87 x 1,14 m
Number of membrane boxes, stackable	1
Loading weight of membrane box	965 kg
Tare weight of membrane box	250 kg
Membrane box (L x W x H)	2,30 x 1,87 x 1,14 m
Number of doors per transport box	1
Loading weight of transport box of door	157 kg
Tare weight of transport box of door	60 kg
Transport box of door (L x W x H)	2,35 x 2,00 x 0,35 m

**CONSTRUCTION / DECONSTRUCTION**

Construction time	16 – 22 h
Deconstruction time	8 – 10 h
Team size [pax]	8 – 10
Coaching [days]	3
Mobile Crane, Height / Boom	35 m / 20 m

**ZENDOME PLUG-IN**

Ring nut inner diameter	2,5 cm
Number of plug-in use of half load [25 kg]	51
Number of plug-in use of full load [50 kg]	20

**NOTES:**

- The construction time is timed with an experienced team. For first construction calculate double the time
- Anchoring according to static calculations (earth anchors, heavy-load floor-system or loads) necessary.
- All sizes, weights and volumes listed in this table are rounded approximations and may deviate due to varying materials or production processes.



**ZENDOME.300M / CIRCULAR DOORWAY**

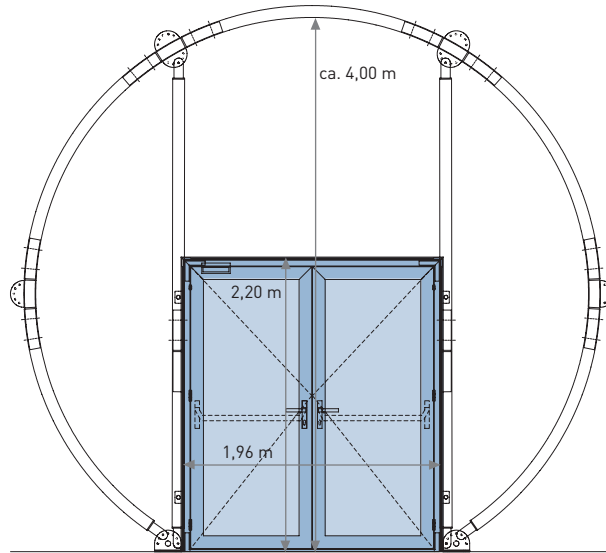
Safety and quality for high class events: All ZENDOME.doors are equipped with push-bar solutions and flexible door closing applications.

ZENVISION GmbH

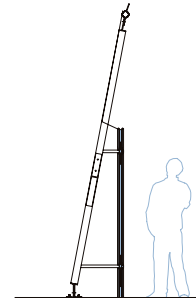
Prenzlauer Promenade 189  
D-13198 Berlin  
www.zenvision.de

T +49 30 473 776 20  
F +49 30 473 776 29  
info@zenvision.de

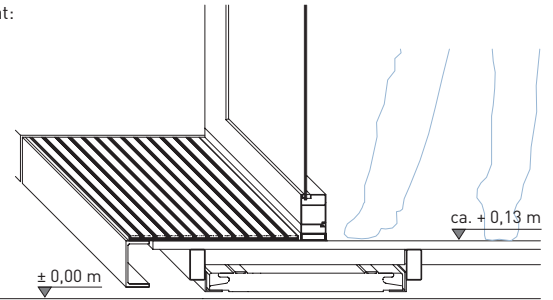
Front view:



Side view:



Doormat:



**ENTRANCE SETTINGS**

Circular entry	1 (5)
Width (circular entry without door, measured at floor-level)	1,96 m
Width (circular entry without door, measured at the centre)	4,12 m
Heights of the circular entry	4,00 m
Membrane-entrance	3 (5)

**DOOR SYSTEM (OPTIONAL)**

Height of entrance with door	2,10 m
Width of entrance with door	1,25 + 0,53 m / 0,89 + 0,89 m
Width (with door, measured at floor-level)	1,78 m
Door-wings	2

**MATERIAL & DETAILS**

Circular entry	Stainless steel, powder-coated
Vertical and horizontal poles	Stainless steel, powder-coated
Door profiles	Aluminium
Door filling	Makrolon® clear / white
Door closer	yes
Push bar	yes
Doormat, attachment for connecting door to floor panel	2,06 x 0,60 m

**LOAD PARAMETERS**

Weight door	97 kg
Measurements transport box door (one door)	2,35 x 2,01 x 0,35 m
Weight / volume transport box door (one door)	60 kg / 1,65 m³
Total weight / volume	157 kg / 1,50 m³
Weight circular entry	140 kg
Loading	On strut stanchions

**NOTES:**

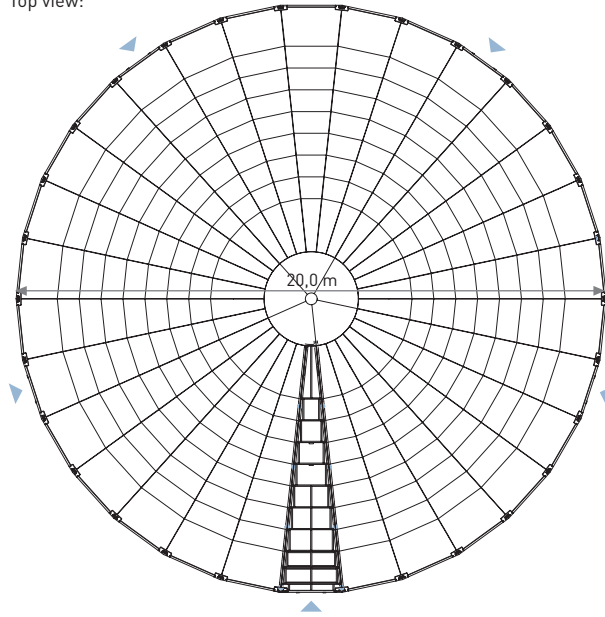
- Presented drawings are to express system and deviate in reality. All sizes, weights and volumes listed in this table are rounded approximations and may deviate due to varying materials or production processes.



**ZENDOME.300M / FLOORSYSTEM**

The ZENDOME.floorsystem, developed as a heavy-load floor is constructed using almost no screws. This is tidy, very chic and saves time.

Top view:

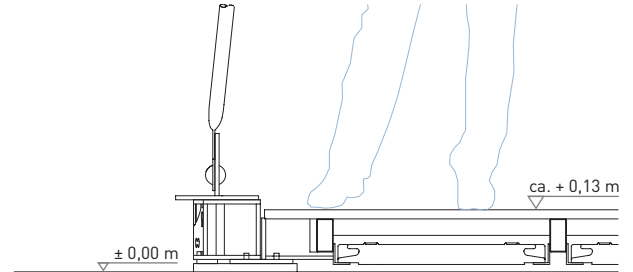


SPACE	
Diameter floor-system	20,0 m
Height floor-system (without underpinning)	0,13 m
Length of ramps	3,2 m

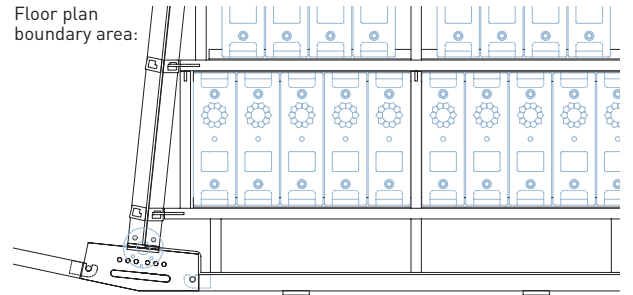
MATERIAL & DETAILS	
Substructure	Steel galvanised
Ground plates	Multiplex, 21 mm, sealed edges
Number of segments	30
Number of ground boxes	300
Middle circle	six pieces
Number of radial beams	120
Number of outer beams	30
Number of foot boxes	30
Number of base discs / points of support	130

ZENVISION GmbH Prenzlauer Promenade 189 T +49 30 473 776 20  
D-13198 Berlin F +49 30 473 776 29  
www.zenvision.de info@zenvision.de

Section boundary area:



Floor plan boundary area:



LOADING PARAMETER	
Weight of heavy-load floor-system	13.900 kg
Total weight of packed heavy-load floor-system	16.060 kg
Loading meter of heavy-load floor-system	13 m
Number of transport stanchions, stackable	20
Transport stanchion (L x W x H)	2,28 x 1,22 x 1,14 m
Tare weight of transport stanchion	108 kg
Necessary additional loads (DIN 4112)	600 x 25 kg
Total weight of heavy-load floor-system w. add. loads	28.900 kg
Number of possible ramps	1 - 5

ASSEMBLING & DISMANTLING	
Assembling time	6 - 8 h
Dismantling time	5 - 7 h
Team size (pax)	8 - 10

**NOTES:**

- The construction time refers to an experienced team. For first construction you need to calculate a longer construction time.
- In order to unload the transport rack a fork lift with min. 1500 kg load capacity is required.
- Maximum windload according to DIN 4112. According to the location and local building laws additional weights to secure system may be needed.
- Presented drawings are to express system and deviate in reality. All sizes, weights and volumes listed in this table are rounded approximations and may deviate due to varying materials or production processes.



**ZENDOME / HOME-EDITION, MODULAR / EXTRAS**

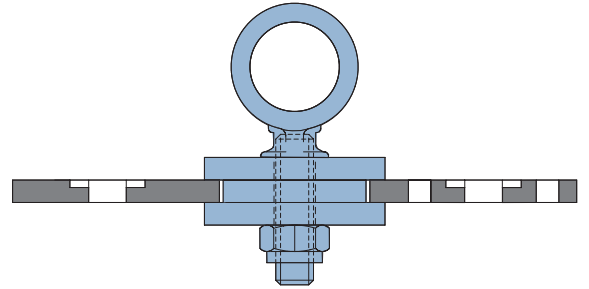
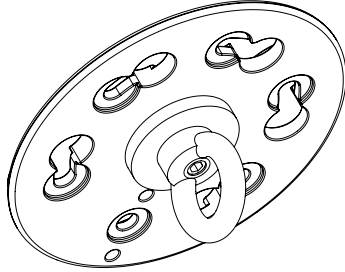
For the perfect presentation surface, secure and with style:  
Special Plug-Ins for the easy installation of audio, light and design elements.

ZENVISION GmbH

Prenzlauer Promenade 189  
D-13198 Berlin  
www.zenvision.de

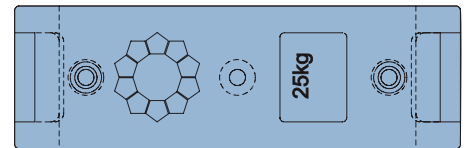
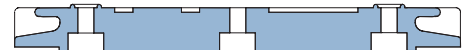
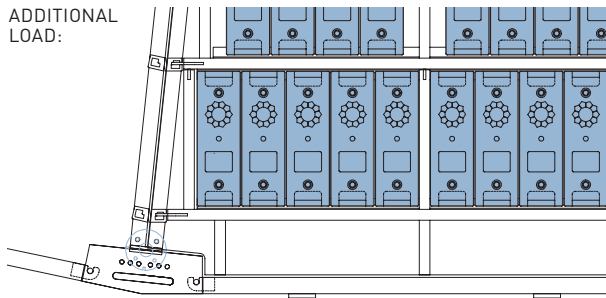
T +49 30 473 776 20  
F +49 30 473 776 29  
info@zenvision.de

**PLUG IN WITH INTERSECTION DISC:**



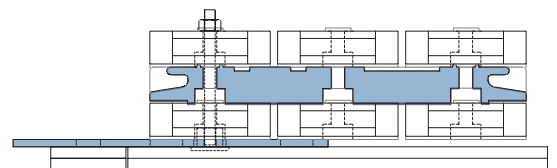
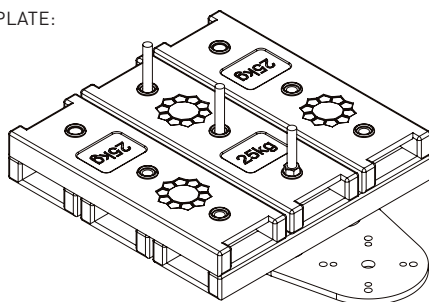
ZENDOME PLUG-IN	ZD.20HE	ZD.30M	ZD.45M	ZD.75M	ZD.150M	ZD.300M
Dimensions outside	4,5 cm	4,5 cm	4,5 cm	4,5 cm	4,5 cm	4,5 cm
Dimensions inside	2,5 cm	2,5 cm	2,5 cm	2,5 cm	2,5 cm	2,5 cm
Number of plug-in use of half load (25 kg)	16	16	16	31	51	51
Number of plug-in use of full load (50 kg)	6	6	6	11	16	20

**ADDITIONAL LOAD:**



ADDITIONAL LOADS	ZD.20HE	ZD.30M	ZD.45M	ZD.75M	ZD.150M	ZD.300M
Number	x	x	80 x 25 kg	144 x 25 kg	270 x 25 kg	600 x 25 kg

**ANCHOR PLATE:**



ANCHOR PLATES	ZD.20HE	ZD.30M	ZD.45M	ZD.75M	ZD.150M	ZD.300M
Number	15	15	15	20	25	30

**NOTES:**

- Presented drawings are to express system and deviate in reality. All sizes, weights and volumes listed in this table are rounded approximations and may deviate due to varying materials or production processes.





**ZENDOME / HOME-EDITION, MODULAR / EXTRAS**

Design for everyone: The ramp solution for the ZENDOME provides a safe, easy and barrier free entry to the 'Space for Ideas'.

ZENVISION GmbH

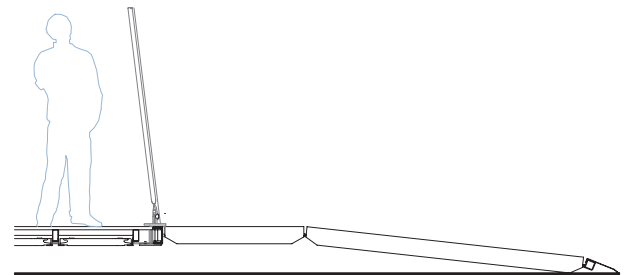
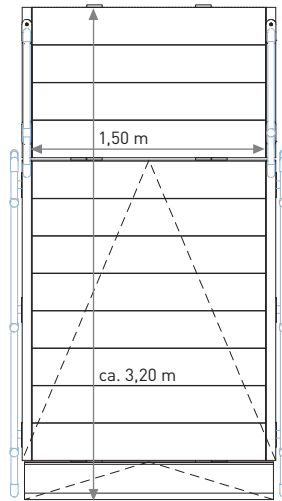
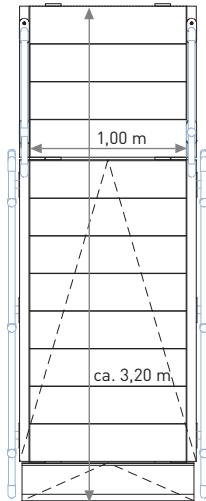
Prenzlauer Promenade 189  
D-13198 Berlin  
www.zenvision.de

T +49 30 473 776 20  
F +49 30 473 776 29  
info@zenvision.de

SMALL RAMP, top view:

BIG RAMP, top view:

RAMP, side view:



**SMALL RAMP**

Number of parts	3
Total length	ca. 3,20 m
Hand rail	possible

**LOAD PARAMETERS**

Dimensions (without euro-pallet)	1,13 x 1,97 x 0,24 m
Weight / volume (without euro-pallet)	200 kg / 0,53 m <sup>3</sup>

**BIG RAMP**

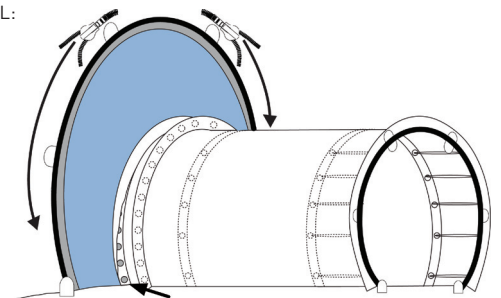
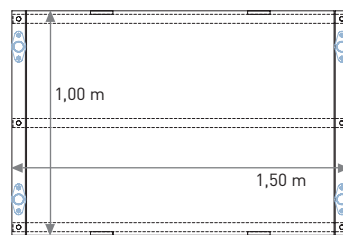
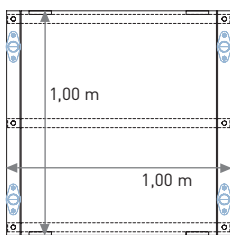
Number of parts	3
Total length	ca. 3,20 m
Hand rail	possible

**LOAD PARAMETERS**

Dimensions (without euro-pallet)	1,63 x 1,97 m x 0,24 m
Weight / volume (without euro-pallet)	250 kg / 0,77 m <sup>3</sup>

SMALL AND BIG FLOOR SYSTEM TUNNEL, top view:

TUNNEL:



**SMALL FLOOR SYSTEM TUNNEL**

Number of parts	1
Total length	1 m
Hand rail	possible

**LOAD PARAMETERS**

Dimensions (without euro-pallet)	1,00 x 1,00 x 0,12 m
Weight / volume (without euro-pallet)	41 kg / 0,12 m <sup>3</sup>

**BIG FLOOR SYSTEM TUNNEL**

Number of parts	1
Total length	1 m
Hand rail	possible

**LOAD PARAMETERS**

Dimensions (without euro-pallet)	1,00 x 1,50 x 0,12 m
Weight / volume (without euro-pallet)	51 kg / 0,18 m <sup>3</sup>

**TUNNEL**

Membrane of tunnel	polyester fabric (PVC coated)
Reduction	polyester fabric (PVC coated)
Attachment of tunnel	Touch fastener, tightening straps

© ZENDOME 2006-2010. We kindly ask for your understanding that files and content is legal property of ZENDOME GmbH. You are not allowed to transfer data or content to third parties nor copying files and content without written permission of ZENDOME GmbH.

**NOTES:**

- Presented drawings are to express system and deviate in reality. All sizes, weights and volumes listed in this table are rounded approximations and may deviate due to varying materials or production processes.



**ZENDOME / HOME-EDITION, MODULAR / LOGISTIC & STORAGE**

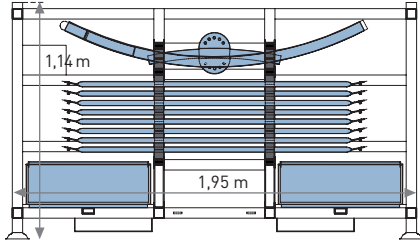
The stackable transport stanchions offer perfect protection for the structure system and guarantee the longevity of the entire system.

ZENVISION GmbH

Prenzlauer Promenade 189  
D-13198 Berlin  
www.zenvision.de

T +49 30 473 776 20  
F +49 30 473 776 29  
info@zenvision.de

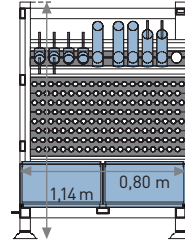
SMALL FRAME STANCHION, longitudinal section:



**SMALL FRAME STANCHION**

Dimensions	2,02 x 0,87 x 1,14 m
Weight / volume	90 kg / 2,00 m <sup>3</sup>

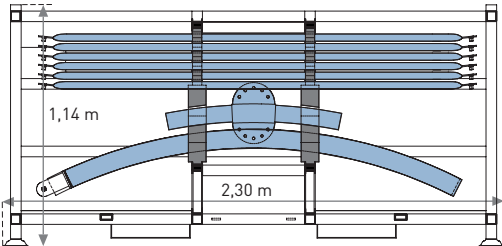
SMALL FRAME STANCHION, cross section:



**TRANSPORT BOXES**

1 x big box	0,80 x 0,60 x 0,22 m
2 x small boxes	0,60 x 0,40 x 0,22 m

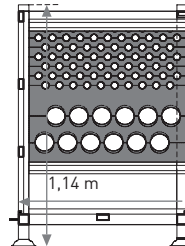
BIG FRAME STANCHION, longitudinal section:



**BIG FRAME STANCHION**

Dimensions	2,37 x 0,87 x 1,14 m
Weight / volume	98 kg / 2,35 m <sup>3</sup>

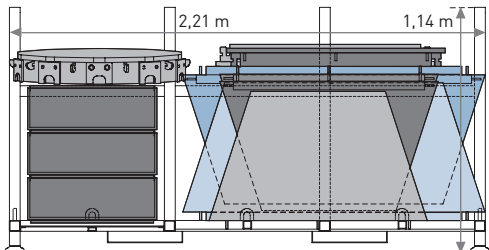
BIG FRAME STANCHION, cross section:



**TRANSPORT BOXES**

1 x big box	0,80 x 0,60 x 0,22 m
2 x small boxes	0,60 x 0,40 x 0,22 m

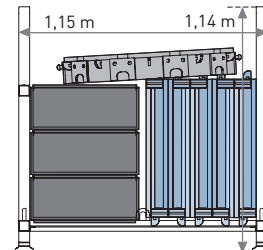
FLOOR STANCHION, longitudinal section:



**FLOOR STANCHION**

Dimensions	2,28 x 1,22 x 1,14 m
Weight / volume	108 kg / 3,17 m <sup>3</sup>

FLOOR STANCHION, cross section:



**TRANSPORT BOXES**

8 x boxes	0,60 x 0,40 x 0,22 m
-----------	----------------------

**NOTE:**

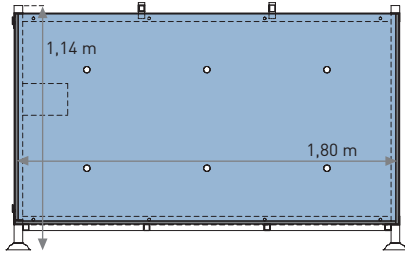
- Presented drawings are to express system and deviate in reality. All sizes, weights and volumes listed in this table are rounded approximations and may deviate due to varying materials or production processes.



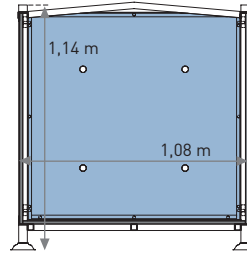
**ZENDOME / HOME-EDITION, MODULAR / LOGISTIC & STORAGE**  
Ideal protection and practical work flow by providing the possibility to lift the membrane in and out of the box directly with the crane.

ZENVISION GmbH    Prenzlauer Promenade 189    T +49 30 473 776 20  
D-13198 Berlin    www.zenvision.de    F +49 30 473 776 29  
info@zenvision.de

SMALL MEMBRANE BOX, longitudinal section:



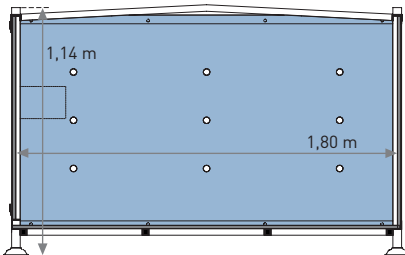
SMALL MEMBRANE BOX, cross section:



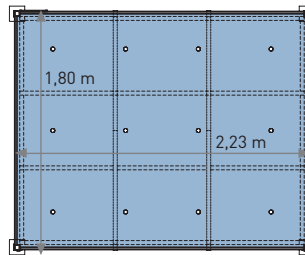
**SMALL MEMBRANE BOX**

Dimensions	1,15 x 1,875 x 1,14 m
Weight / volume	110 kg / 2,45 m <sup>3</sup>

LARGE MEMBRANE BOX, cross section:



LARGE MEMBRANE BOX, floor plan:



**LARGE MEMBRANE BOX**

Dimensions	2,30 x 1,875 x 1,14 m
Weight / volume	250 kg / 4,91 m <sup>3</sup>

**NOTE:**

- Presented drawings are to express system and deviate in reality. All sizes, weights and volumes listed in this table are rounded approximations and may deviate due to varying materials or production processes.

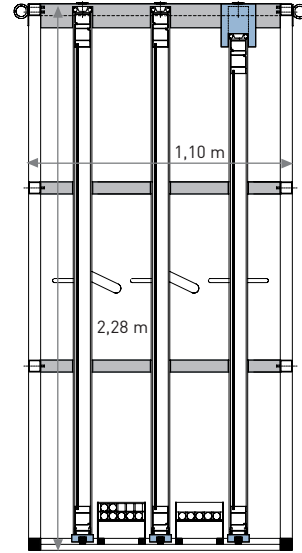
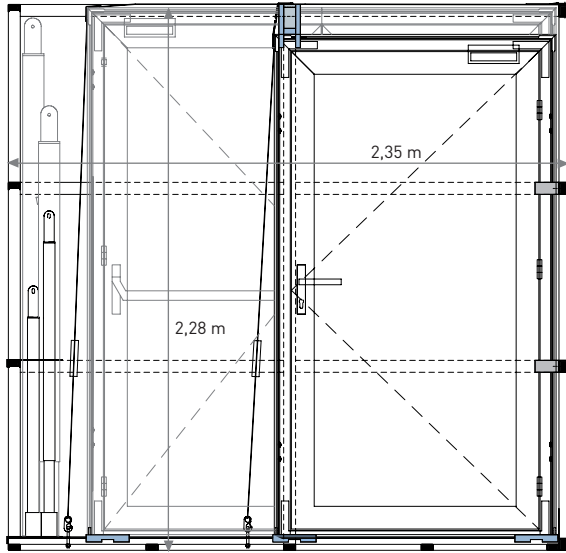


**ZENDOME / HOME-EDITION, MODULAR / LOGISTIC & STORAGE**  
The entire system for the safe and easy transport. With our special adapter you will grab anything you might need for the ZENDOME.doors.

ZENVISION GmbH Prenzlauer Promenade 189 T +49 30 473 776 20  
D-13198 Berlin F +49 30 473 776 29  
www.zenvision.de info@zenvision.de

DOOR STANCHION, longitudinal section:

DOOR STANCHION, cross section:



**DOOR STANCHION**

Dimensions	2,35 x 1,10 x 2,28 m
Weight / volume	ca. 290 kg / 5,89 m <sup>3</sup>

**NOTE:**

- Presented drawings are to express system and deviate in reality. All sizes, weights and volumes listed in this table are rounded approximations and may deviate due to varying materials or production processes.